

## PICNIC SETTING

Designer: Aaron Tuck



### SLAT OPTIONS

- Oiled hardwood
- Composite
- Clear anodised aluminium
- Woodgrain aluminium

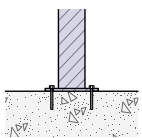
### FRAME OPTIONS

- Hot dip galvanised mild steel

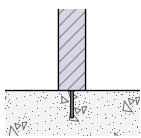
### FRAME FINISHES

- Powdercoated

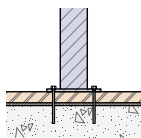
### INSTALLATION



Bolt Down



Concealed Fix



Bolt Through

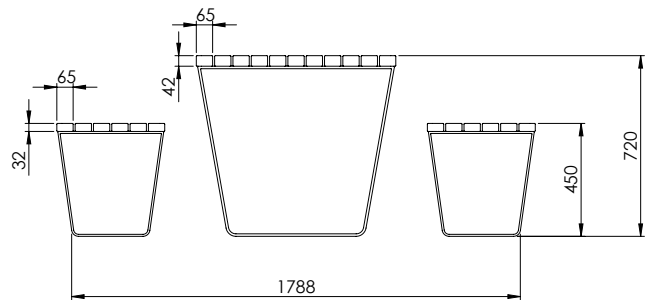
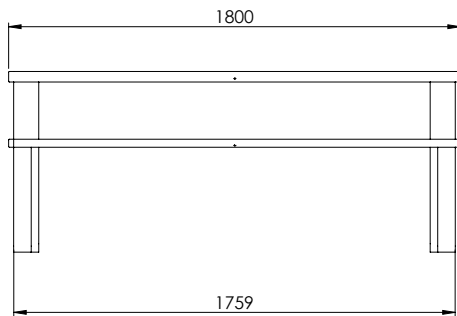
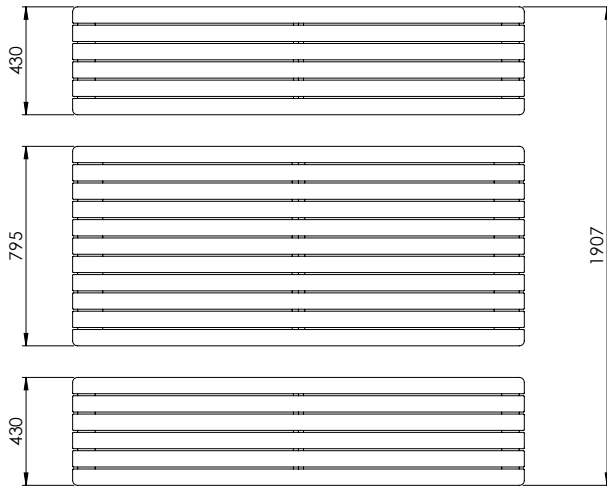
### FIXINGS

- 12mm fixings for 14mm Diameter holes

Alternative materials and finishes available on request

# DISTRICT PICNIC SETTING

## SPECIFICATIONS



Measurements are in millimetres. Drawings are not to scale.  
Dimensions shown are for timber slat option

**DDA compliant version available upon request**

PRODUCT CODE	FRAME FINISH	SLAT OPTION & SIZE (mm)
DST006-HDG-PC-T	Powdercoated	65x32/42 Oiled hardwood timber
DST006-HDG-PC-C	Powdercoated	60x40 Composite
DST006-HDG-PC-A	Powdercoated	65x35 Clear aluminium
DST006-HDG-PC-W	Powdercoated	65x35 Woodgrain aluminium